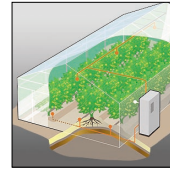
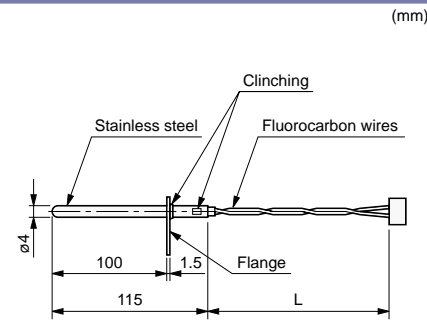
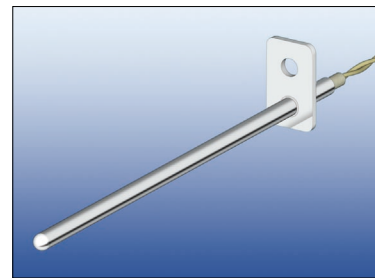


Industrial Equipment

for Industrial Equipment



G1 With Fixing Flange



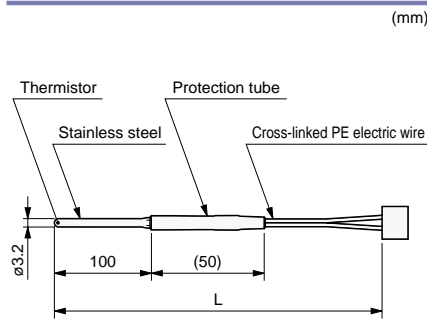
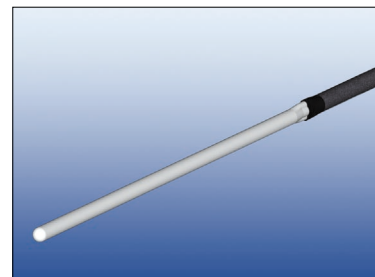
Features
Designed for easy installation on the applications. Good level of water proof and durability.

Applications
Constant temperature liquid bath and Constant temperature air chambers etc.

Operating temperature range
0°C to 200°C

Thermal time constant
Less than 20sec. (in liquid)

G2 for Household Fuel Cell

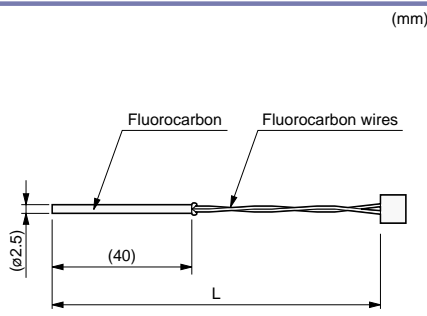
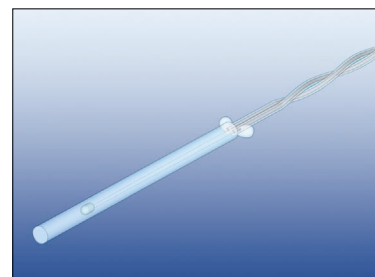


Features
Thin shape with NS type element. Commonly used for Reformer.

Applications
Liquid temperature measurement etc.

Operating temperature range
0°C to 250°C

G3 for Level Detection



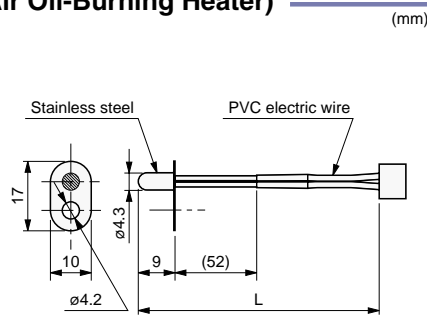
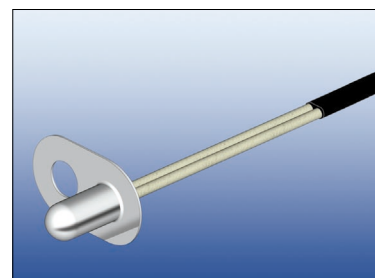
Features
Integrated sensor with Fluorocarbon resin and fluorocarbon-covered lead wire. Chemical proof. Used for surface level detection of Photo developing fluid.

Applications
Surface level detection etc.

Operating temperature range
-40°C to 105°C

Thermal time constant
Less than 3.5sec. (in liquid)

G4 for Fan Heater (Forced Air Oil-Burning Heater)



Features
High level of durability and quick response time with simple configuration and durable NS type element.

Applications
Carburetor of Fan heater etc.

Operating temperature range
-20°C to 350°C

Thermal time constant
Less than 7sec. (in liquid)

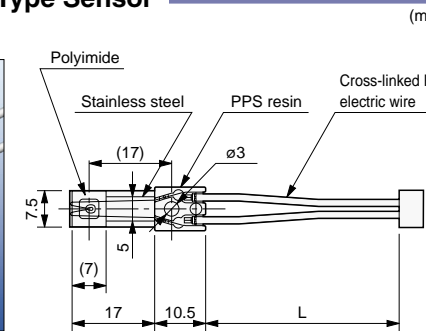
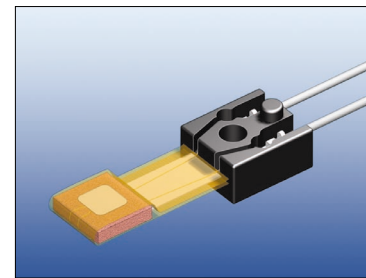
※ Above-described shapes are just for example, customized designs are available.

Office Automation Equipment

for Office Automation Equipment



H1 "Sheet with a Sponge" Type Sensor



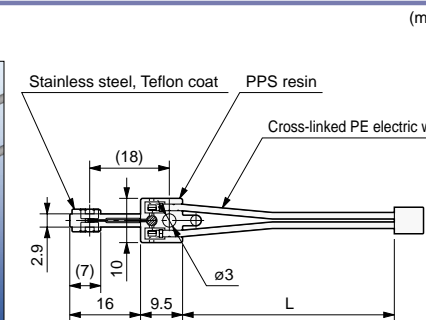
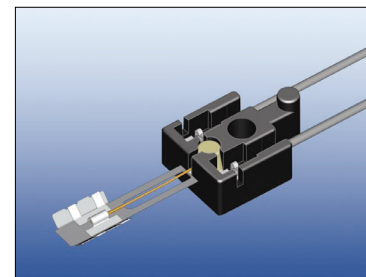
Features
Standard solution for Heat/Press rollers. Minimal position misalignment on rollers by sponge effect.

Applications
Copying machine, Printers and Multi function machines etc.

Operating temperature range
-20°C to 200°C (at sensing point)

Thermal time constant
Less than 3.5sec. (on hot plate)

H2 "Board" Type Sensor



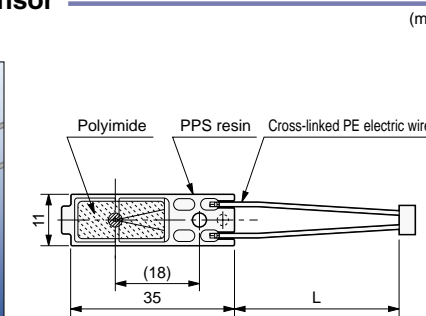
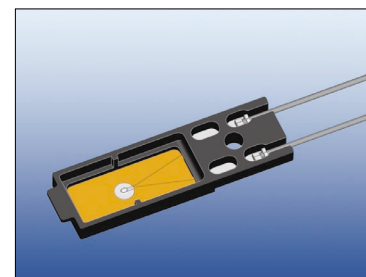
Features
High temperature resistant solution for Heat/Press rollers. Low contacting pressure reduces damage on rollers.

Applications
Copying machine, Printers, Multi function machines and Laminating machine etc.

Operating temperature range
-20°C to 250°C (at sensing point)

Thermal time constant
Less than 2sec. (on hot plate)

H3 "Non-Contact" Type Sensor



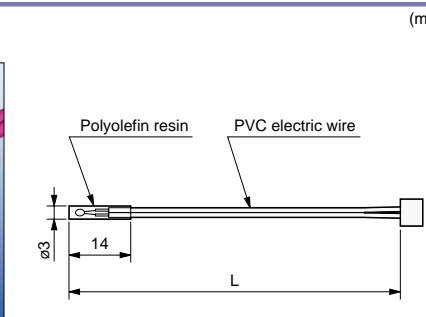
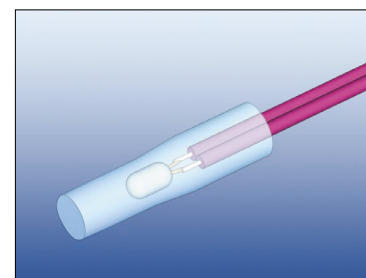
Features
Non-contact sensing solution for Heat/Press rollers. As it is not attached onto the roller, good for color printers and copiers.

Applications
Copying machine, Printers, Multi function machines etc.

Operating temperature range
0°C to 200°C (at sensing point)

Thermal time constant
Less than 4sec. (1mm from hot plate)

H4 for Projector



Features
Air temperature sensor with simplified water proof treatment.

Applications
Air temperature measurement etc.

Operating temperature range
0°C to 60°C

Thermal time constant
Less than 30 sec. (in air)

※ Above-described shapes are just for example, customized designs are available.